

Dräger X-plore® 6530 Full Face Mask

Especially durable with wide panoramic view: Dräger X-plore® 6530 is an exceptional full face mask for professional use in the most versatile applications.



Benefits

Safe and comfortable fit

A double sealing frame with threefold sealing edges offers safe protection and a secure fit for almost all face shapes. The mask body from durable EPDM ensures a great level of wearing comfort even during prolonged use.

5-point harness

The comfortable 5-point harness ensures that the mask is easy and quick to don. Additionally, the wide strap design prevents the development of pressure points on the head.

Large field of vision

The distortion-free lens with 180° wide angle guarantees a large field of vision with excellent peripheral vision. The lens is made from impact-proof polycarbonate with either a plastic or stainless steel lens frame available.

Simple servicing and logistics

One universal size simplifies logistics and storage. An inside barcode allows for ease of recording and servicing the mask inventory.

Efficient ventilation system

The efficient ventilation system with separate interior half mask ensures a fog-free lens and unobstructed view.

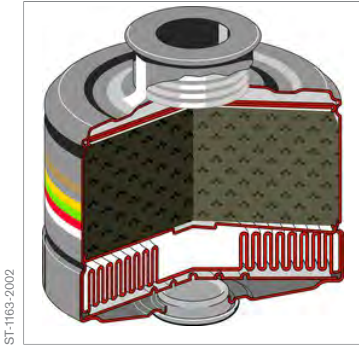
Clear voice communication

An integrated stainless steel voice diaphragm facilitates good communication.

Versatile use

The Dräger X-plore® 6530 is equipped with an Rd40 connection (40mm threaded) for use of the Dräger X-plore® Rd40 filter series.

Accessories



Dräger X-plore® Rd40 Filters

Whether used in chemical industry or automobile industry, shipbuilding, metal processing industry, or by public utility services—for decades Dräger respiratory protection filters have been a synonym for experience and safety worldwide. They clean breathable air from contaminants in a low-cost and effective manner.



Full face case, hard plastic for full mask

Order No.: R 51 019



Fit Test Adapter

Order No.: R 40 56 718



Lens overlay protectors, self-adhesive

Order No.: 40 55 092

Accessories



ST-357-99

Mask spectacles kit

Order No.: R 51 548



ST-13396-2008

OHD Quantifit

Fit Test Adapter



ST-14935-2008

Welding protection visor (only for stainless steel frame)

Accepts standard 4-1/2" x 5-1/4" glass

Order No.: 4053437



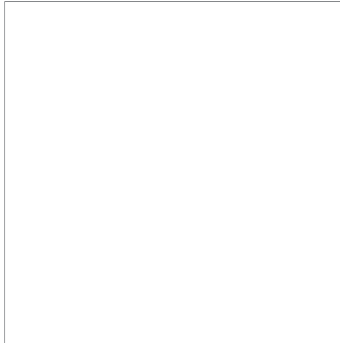
visor-triplex-19309-2009

Triplex glass lens

Excellent temperature and chemical resistance

Order No.: R 26 989

Accessories



Hairnet

Order No.: 40 54 931



Anti-fogging gel "klar-pilot" (50 ml)

Order No.: R 52 560

ST-6179-2006



Alcohol-free wipes, box of 100

Order No.: 40 53 845

ST-419-2003

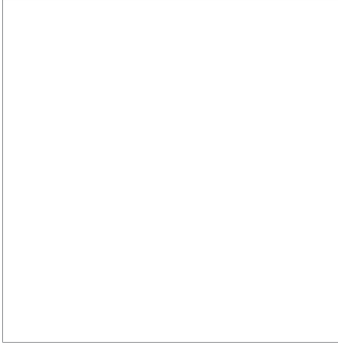


Anti-fogging spray

Order number: R 21 120

ST-13371-2008

Accessories



Full Face Bag

Blue Nylon with Draw String
Order number: R 40 55 785



2100-porta-count-adapter

PortaCount Fit Test Adapter

Related Products



ST-7497-2005

Dräger X-plore® 6300

The Dräger X-plore® 6300 is an efficient, low-cost full face breathing mask intended for price-conscious users not wishing to compromise comfort or quality. This full face mask is the successor to the Panorama Nova Standard, a mask which has proven itself over decades of use worldwide—redesigned and improved with fresh colors and an integrated bar code.

Related Products

ST-948-2008



Dräger X-plore® 5500

Whether in the chemical, metal, or automotive industries, ship building, maintenance, supplies, or disposal: The Dräger X-plore® 5500 full face mask is the right solution for environments where not only increased respiratory protection is required, but a clear vision is mandatory.

ST-7501-2005



Dräger X-plore® 6570

The Dräger X-plore® 6570 is the high-comfort silicone full face mask used by professionals in a wide variety of applications. It meets the highest demands of quality, reliability, secure fit, and comfort. This full face mask is the successor to the Panorama Nova masks, a range which has proven itself over decades of use worldwide.

Notes

Not all products, features, or services are for sale in all countries.
Mentioned Trademarks are only registered in certain countries and not necessarily in the country in which this material is released. Go to www.draeger.com/trademarks to find the current status.

CORPORATE HEADQUARTERS

Drägerwerk AG & Co. KGaA
Moislinger Allee 53-55
23558 Lübeck, Germany
www.draeger.com

Customer Service:

USA
+1 800-4DRAGER
(+1 800-437-2437)

CANADA

+1 877-DRAGER1
(+1 877-372-4371)

Technical Service:

USA
+1 800-4DRAGER
(+1 800-437-2437)

Locate your Regional
Sales Representative at:
www.draeger.com/contact

